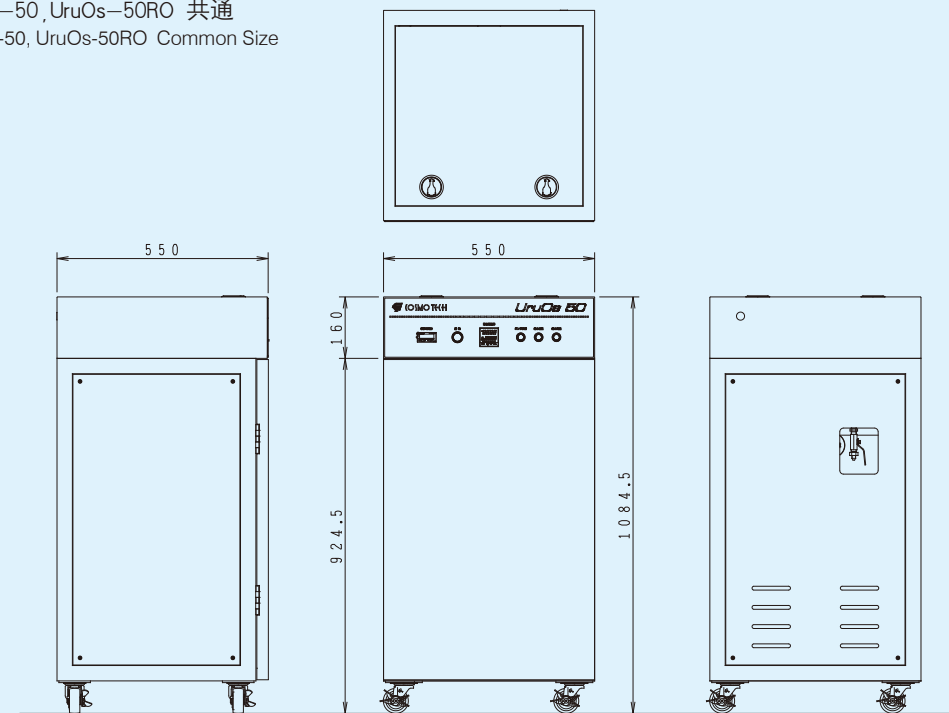


外形尺寸图 (主机部) External View (Main Unit)

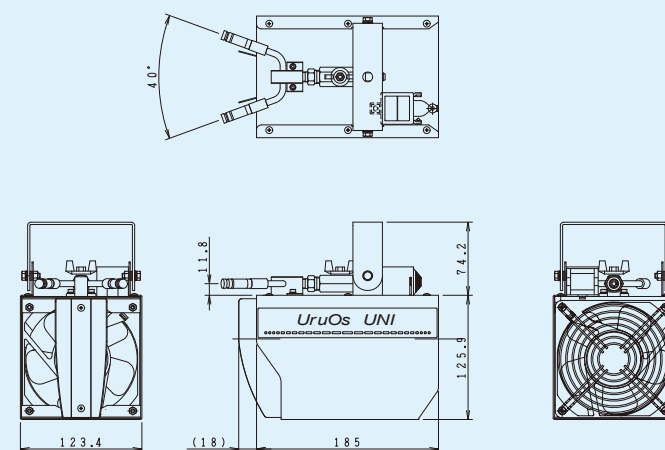
UruOs-50, UruOs-50RO 共通
UruOs-50, UruOs-50RO Common Size



产品的规格 · 外观变更时不予事先通知。
Specification may be changed without notice.

外形尺寸图 (喷雾部) External View (Spraying Unit)

3.0L/h喷雾型, 5.0L/h喷雾型 共通
3.0L/h Spray-type, 5.0L/h Spray-type Common Size



产品的规格 · 外观变更时不予事先通知。
Specification may be changed without notice.



<http://www.cosmotech-jp.com> E-mail: KYOTO@cosmotech-jp.com
12-2 Fukakusa Zendoji-Cho, Fushimi-ku, Kyoto, 612-8433, Japan
Tel: +81 75 621 7431 Fax: +81 75 621 7473



Registered establishment: Cosmotech Co., Ltd. headquarters and Kyoto Factory.
Registered coverage: Design, development, manufacturing, sales, installation and maintenance of peripheral equipments for printing and book binding. Equipments certified according to ISO 9001 are fountain solution refrigerating circulator, roller chiller, powder spray system, fountain solution filtration system and double sheet detector.

1509-CH/E

Distributor



UruOs 50

UruOs50 是 COSMOTECH 公司经过长年对高压方式加湿器的交货实绩以及经验，独自研发提案的新产品。小型且性价比优越的装置，确信在经济性·卫生方面必定得到高度的评价。

UruOs 50 is high pressure humidification system which is based on atomizing water using pressure. This system produces a fine fog-like mist for easy absorption. High pressure humidification system is very inexpensive to operate and is low maintenance.



特长 Feature

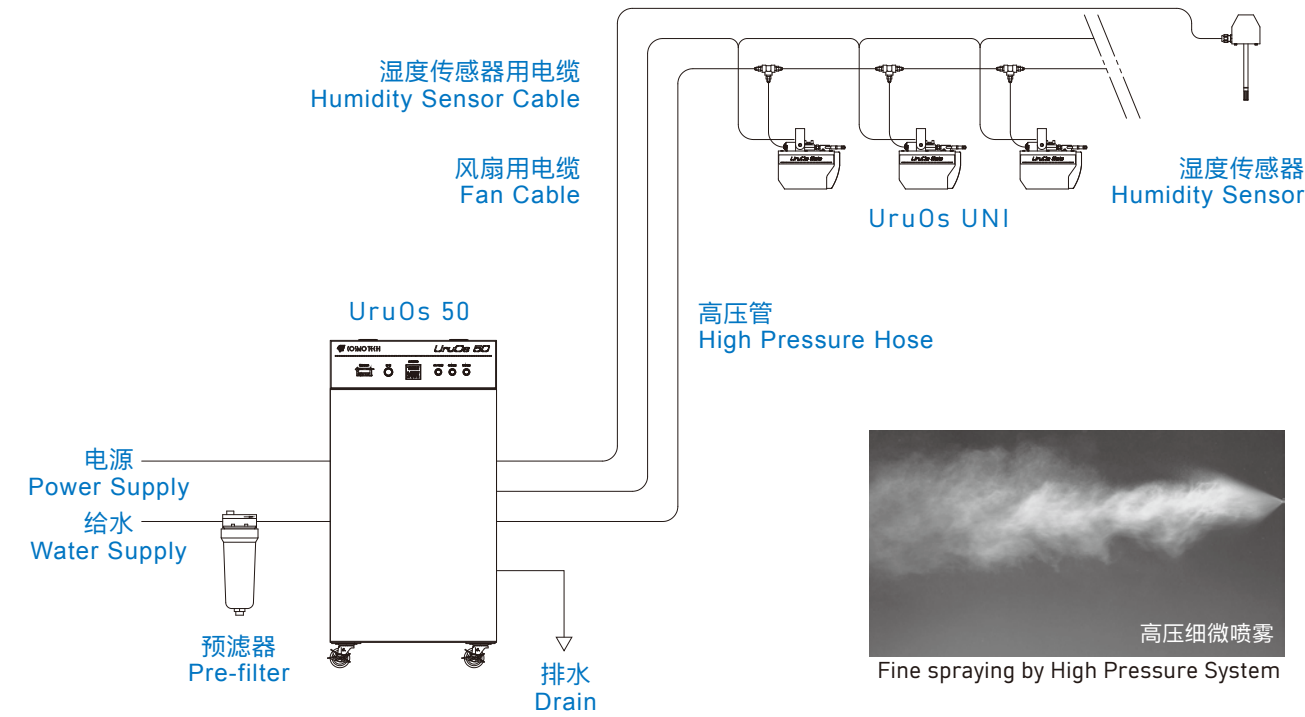
- 省电 Power Saving**
 - 因为不使用空气压缩机，加湿时只需要很少的电力消耗。
Since an air compressor is not used, it can humidify by little power consumption.
- 清洁 Hygiene**
 - 和自来水直接连接喷雾，通过UV(紫外线杀菌)灯(※选配)防止霉和细菌的发生。
It is connected to water service and sprays water directly. Generating of mold or bacteria is barred by passing water through UV lamp (option).
- 省空间 Space-saving**
 - 只需主机(泵部)的设置空间「550mm×550mm」，省空间。
Installation space is space-saving as the main unit (pump part) is "550mm×550mm".
- 维护简单 Easy Maintenance**
 - 维护保养是定期交换水滤芯·UV灯和进行泵的点检(运转时间约2000/4000)
Maintenances are periodical replacement of a water filter and a UV lamp and check of a pump at every approx. 2000/4000 operating hours.
- 广范围加湿 Extensive Humidification**
 - UruOs UNI 最大可以安装16台(1.5L/h×2个)。可以进行广范围的加湿。
Installation of a maximum of 16 sets of spraying unit UruOs UNI (1.5L/h×2 nozzles) is possible, and it can perform extensive humidification.
- 静音 Silent**
 - 因为不喷出空气，所以非常安静，办公室等都可以设置。
Since air is not spewed, noise level is very low and the installation to an office etc. is also possible.

其他方式和比较 Comparison with Other Systems

项目 Item	UruOs 50	蒸汽式 Steam	气化式 Vaporizer	压缩机式 Compressor
经济性(电费) Economy (Electric Charge)	○	×	×	×
消耗电力(水 1L/h) Power Consumption (1L/h)	8~10W	600~800W	60~80W	30~50W
冷却效果 Cooling Effect	○	×	○	○
维护费用 Maintenance Cost	△	×	△	×
压缩机 Compressor	不要 Not Necessary	不要 Not Necessary	不要 Not Necessary	要 Necessary
噪音 Noise	○	○	△	×
设置空间 Installation Space	○	×	×	△
系统密闭度 System Sealing	○	○	×	△
细菌繁殖防止 Prevention from Bacteria	○	○	×	△
卫生 Hygiene	○	△	×	△

评价……优○ 中△ 差×
Evaluation.....Good○ Moderate△ Bad×

系统流程图 Flow Diagram



给「UruOs 50」主机电源(200V)通电，并供水。用高压管和风扇用电缆连接喷头「UruOs UNI」。湿度传感器是把室内的湿度设置到需要的点，连接湿度传感器用电缆。设定好希望的湿度后，自动控制。Power supply (200V) and water supply are connected to the main unit "UruOs 50", and high pressure hoses and fan cables are connected to spraying units "UruOs UNI". A humidity sensor is installed at the place which needs humidification, and connected a humidity sensor cable. Humidity is set up and automatic control is performed.

规格一览 Specifications

主机部 Main Part		喷雾部 Spraying Part	
名称 Name	高压加湿器 High Pressure Humidification System	名称 Name	喷头 Spraying Unit
形式 Model	UruOs 50	形式 Model	UruOs UNI
加湿能力 Humidification Capacity	Min10L/h ~ Max50L/h	喷雾量 Amount of Spraying	约3.0L/h(1.5L/h×2) / 约5.0L/h(2.5L/h×2) 3.0L/h(1.5L/h×2) / 5.0L/h(2.5L/h×2)
湿度表示·设定 Humidity Display·Setting	数字表示·设定(0~100%) Digital Display·Setting(0~100%)	风扇最大风量 Fan Max. Air Volume	2.5 / 2.9 m³/min
湿度检知 Humidity Detection	半导体式湿度传感器 Humidity Sensor Semiconductor Type	风扇最大静压 Fan Max. Static Pressure	64.8 / 76.5 Pa
控制方式 Control Method	2阶段时间控制方式 Two-step Spraying Duration Control	风扇噪音 Fan Noise	37 / 41 db
检知·保护机能 Protection Function	泵过电流 Pump Over-current	风扇平均寿命 Fan Product Lifetime	50,000 小时 Average 50,000 Hours
	给水压力低下 Water Supply Low Pressure	连接台数 No. of Connection	合计 50L/h以内(最低10L/h) Less than Amount of Sum Total Spraying 50L/h (Minimum 10L/h)
	给水温度上升(40℃) Water Supply High Temperature (40℃)	连接管子 Connection Hose	外径 8.3(mm) × 内径 1/8(in) Size: OD 8.3 (mm) ID 1/8 (inch) Max.使用压力: 20Mpa Max. Operation Pressure: 20MPa Min.破坏压力: 72Mpa Min. Burst Pressure: 72MPa 最小弯曲半径: 15mm Min. Bend Radius: 15mm
加压泵 Pressurized Pump	0.4KW 50/60Hz	电源 Power Supply	1φ200V 140/120 mA
选配 Option	UV杀菌装置 UV Sterilization Device	外形尺寸 Dimensions (mm)	W123.4 × D203 × H200
电源 Power Supply	3φ200V 约3A 约1.1KVA 3φ200V / Approx. 3A / Approx. 1.1KVA		
外形尺寸 Dimensions (mm)	W550 × D550 × H1085		

制品的规格·外观变更时不另行通知。
Specification and appearance of a product are subject to change without notice.

反渗透膜过滤(RO)纯水装置一体型高压加湿器
High Pressure Humidification System with Built-in RO System

UruOs-50RO

我们平常使用的水中含有矿物质成分(钙,镁等),向空气中喷雾时,会析出矿物粉末(白粉)。使用地下水等特别是含量多的水(硬水)时,这种现象表现的更为明显。电子零件,精密机器,计算机室,印刷表面加工,食品工业等需要特别注意。另外,这种矿物质成分还可能造成喷嘴的堵塞。反渗透膜过滤(RO)纯水装置一体型的 UruOs-50RO 能过滤掉 99% 的矿物质成分,可以用过滤后的纯水进行喷雾。

Mineral ingredient (calcium, magnesium and etc.) is in the water, and when spraying water in the air, it's separated out as mineral dust (powder). Hard water has high mineral ingredient contents, and the phenomenon is found conspicuously. Electronic parts, precision mechanical equipment, a computer room, printed paper surface coating and food industry are required special care in particular. There is also a possibility which causes a nozzle clogging by this mineral ingredient. The high pressure humidification system with built-in RO membrane filtration system can remove 99% of mineral ingredient and spray the deionized water.

规格一览 Specifications

名称 Description of Product	RO 装置一体型高压加湿器 High Pressure Humidification System with Built-in RO System
形式 Model	UruOs-50RO
加湿能力 Humidification Capacity	Min10L/h ~ Max50L/h
湿度表示·设定 Humidity Indication and Setting	数字表示·设定(0~100%) Digital Display and Setting (0~100%)
湿度检知 Humidity Detection	半导体式湿度传感器 Semiconductor Humidity Sensor
控制方式 Control Method	2阶段时间控制方式 Two-step Spraying Duration Control
加压泵 Pressurized Pump	0.4KW 50/60Hz
杀菌机能 Sterilization Function	UV 杀菌装置(标准配备) UV Sterilization Device (Standard Equipment)
RO 装置 RO System	筒式 RO 滤芯(6支) Cartridge Type RO Filter (6 pcs)
RO 处理能力 RO Processing Capacity	约 90 L / h (25℃/6 支使用时) Approx. 90L/h (At 25℃/ Using 6 PCS)
	约 56 L / h (10℃/6 支使用时) Approx. 56L/h (At 10℃/ Using 6 PCS)
电源 Power Supply	3φ200V 约3.5A 约1.2KVA 3φ200V / Approx. 3.5A / Approx. 1.2KVA
外形尺寸 Dimensions(mm)	W550 × D550 × H1085

※检知·保护机能和 UruOs-50 为共通规格。
*Detection and protective function are the same specification as UruOs-50.

自来水中含有的残留氯会对 RO(反渗透膜)纯水的产生造成阻碍。为了延长 RO 滤芯的使用寿命,请和活性炭滤芯一起使用。
Residual chlorine contained in tap water affects deionized water generation of RO system. Installation of an activated carbon filter is highly recommended to extend lifetime of RO filters.

交换时期 Estimated Timing for Exchange of Filters		
1μ 滤芯(L500).....	6个月	1μ filtration filter (L500) Every 6 Months
活性炭滤芯(L500)...	6个月	Activated Carbon Filter (L500) Every 6 Months
筒式RO滤芯.....	1年(6支同时交换)	Cartridge Type RO Filter Once a Year (6 Filters Simultaneous Exchange)

