



Sprays in All Directions

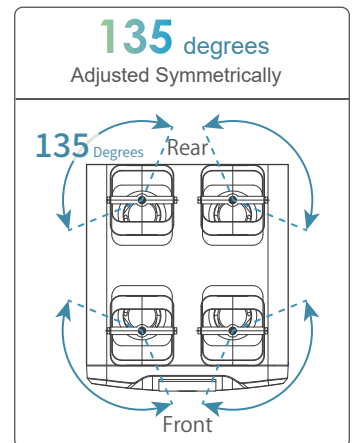
360 degrees

It's more comfortable,
more extensive powerful humidification

Powerful humidification of 6.0L per hour makes it easy to reach comfortable humidity even in large spaces. Powerful system structure with easy operation. "itsumo" that stays close to your life to maintain comfortable humidity.



Wide humidification with 4 nozzles 【All sides × Wide angle】



Adjustable spray angle 135 degrees

Each of the four nozzles can be adjusted 135 degrees. Spraying to the left or right is possible by setting either one to inner angle.

Forward-backward spray

Widespread spray is possible with a tilt of 45 degrees both in forward and backward.

- Energy Saving
- Space Saving
- Wide-spread Spray
- Low Noise
- 360 Degrees
- Powerful
- With Casters

Product Introduction

High pressure atomizing humidification “itsumo” was developed from the perspective of users. This portable system combines “temperature control, timer control, intermittent function, energy saving performance” which were designed based on technology of a commercial humidification system manufacturer. Humidification with mist is effective as a prevention of viruses such as influenza that prevail every year. It can be installed in various places such as large offices, hospitals, facilities for the elderly, sports gyms, entrance halls and multipurpose facilities.

Our lives have been greatly affected by COVID-19. Acid hypochlorous water has been confirmed the inactivating effect against many viruses such as seasonal influenza, norovirus and O-157 by various institutions. There are pros and cons about usage of acid hypochlorous water and caution is being given but, we believe that it can be a “strong ally in the Corona era” if government guidelines are followed and if it is used safely.

We recommend “space sterilization of unmanned space” according to guidelines of the Japanese government. “itsumo” can be operated unmanned. Repeat spraying and pausing at arbitrary intervals to circulate mist in the space, and a large amount of fine water droplets can be spread to every corner even in a wide area without wetting the floor with the mist. In addition, we recommend using electrolyzed slightly acid hypochlorous water for space sterilization. Check with SDS of your acid hypochlorous water before using.

Note: Cosmotech has carried out a spray test with electrolyzed slightly acidic hypochlorous water (30ppm) but, we do not sell acidic hypochlorous water.



360 degrees

Air moistened by panoramic spray

Humidification Area 200 m³ Approx. 200 m ²	Humidification Power Approx. 5.5 MPa High Pressure Spray	Low Noise Approx. 54 dB(A) Reference Value
Humidification Capacity 6 L/h Powerful humidification	Water Particles Approx. 3 μ ~ 6 μ ※ Our Measured Value	Fan Air Volume Approx. 1.64 m³ /min Per Nozzle Per Nozzle

Suitable for various place

Humidifies a space of 200m² in various places

Compact body with a width of 40cm, but ideal for humidifying a large area of up to 200m². itsumo is the only one that sprays 360 degrees.



Product features

Spray 360 Degrees in All Directions

Each of the four nozzles can be adjusted up and down 45 degrees and left and right 135 degrees. A 360-degree range is sprayed with the four nozzles to firmly humidify a large space.

3.8-inch Touch Panel

It is easy to see the humidity and time, and it can be used stress-free by adopting a 3.8-inch touch panel that is easy to operate.

Easy-to-carry Water Tanks (Two 10L Tanks)

Two 10L tanks are built in, which are easy to carry. The total tank capacity is 20L, which is a large capacity compared to general humidification system. Since it can be operated with one tank, spraying can be continued without stopping the operation.

Intermittent Operation Function

The spray start/pause interval can be set by the user. By performing intermittent operation while maintaining the required humidity, circulate mist in the space and keep the minimum energy consumption. (Start/ pause can be set from 10 seconds to 90 seconds respectively.)

No Filter, No Bad Smell

It has a structure that does not require a filter. Therefore, no need for troublesome filter cleaning but only regular water tank, and annual nozzle cleaning.

Simple Design

Despite its large capacity, it is a compact design with a width of 40cm. The stylish body has casters that can be placed anywhere.

Space Sterilization by Spraying Sterilized Water

It can also spray slightly acidic electrolyzed water. "Space sterilization" can be performed by putting it in the tanks. Inside of the system is kept clean with regular sterilization water spray.



Effective use of istumo



Only in
unmanned
space

When slightly acidic hypochlorous water is sprayed, not only space but also equipment can be sterilized by this one unit.

istumo is a humidification system that can spray acidic hypochlorous water

6L/ H powerful spray

It is possible to sterilize places where many people gather in a

Effective against many viruses

Acidic hypochlorous water has been reported to be effective against

Humidity & timer operation

Fine settings enable unmanned operation tailored.

Stainless steel

All wetted parts are made of stainless steel.

Based on verification results of National Institute of Technology and Evaluation (NITE) and Ministry of Economy, Trade and Industry, Cosmotech suggests space sterilization in unmanned space. The mist to the space can secure the sufficient amount which is necessary for sterilization by arbitrary time setting. Also, for spray liquid, we recommend to use slightly acidic hypochlorous water (electrolytic solution and pH5-pH6.5) which is approved as a food additive by the Ministry of Health, Labor and Welfare.

Note) "Acid hypochlorous water" and "sodium hypochlorite water" are completely different. Never spray the sodium hypochlorite water, as it may endanger human health.

FAQ

Q1 How large can this system humidify?

“itsumo” can humidify a space of about 200 m². High pressure spray of 5.5Mpa and high performance fan quickly humidify and keep the comfortable humidity.

Q2 Where is the best place to put it?

“itsumo” is equipped with casters and can be easily moved anywhere. It has an excellent design like home appliances and produces a sense of cleanliness even when placed in a fashionable office or entrance.

Q3 What is the humidification capacity?

“itsumo” is a powerful system that can spray 6.0 liters per hour. While general commercial humidification systems spray less than 3.0 liters, this system has twice the humidifying capacity.

Q4 At what angle can it be sprayed?

“itsumo” is equipped four nozzles to spray 360 degrees in all directions. Each of the four nozzles can be adjusted up and down 45 degrees and left and right 135 degrees. A 360-degree range is sprayed with the four nozzles to firmly humidify a large space.

Q5 How much does the electricity bill cost?

The electricity cost per day is about JPY16!

“itsumo” performs powerful spraying of 6L/H, but it consumes less electricity since it is equipped with an energy-saving high pressure pump. Even if it operated every day for a month, it is very economical at about JPY499.

*Operation 12 hours a day, 31 days a month. Calculated at JPY22/ KWh.

Q6 Does not the sprayed mist get the surroundings wet?

Since “itsumo” sprays with a high-pressure pump (5.5MPa), fine particles of about 3 μm ~6 μm are sprayed. 6 μm is as fine as 6/1000mm, and the mist evaporates quickly in the air.

Q7 How do you replenish water?

“itsumo” contains two easy-to-carry 10L tanks. Since it can be operated with one tank, spraying can be continued without stopping the operation.

Q8 How many hours can be sprayed with one replenishment of water?

“itsumo” can spray continuously for about 400 minutes (at 6L/H and 50% operation setting). Since the interval between operation and pause can be set arbitrarily, when it is set to less operation time, it is possible to operate without replenishment of water for a long time of 8 hours or more.

Q9 Is there anything to do for maintenance?

“itsumo” requires an oil change. (Every 1500 hours, about 300 days of use) An alarm and display will notify you when it is time to replace. The replacement work is easy and can be done by a user.

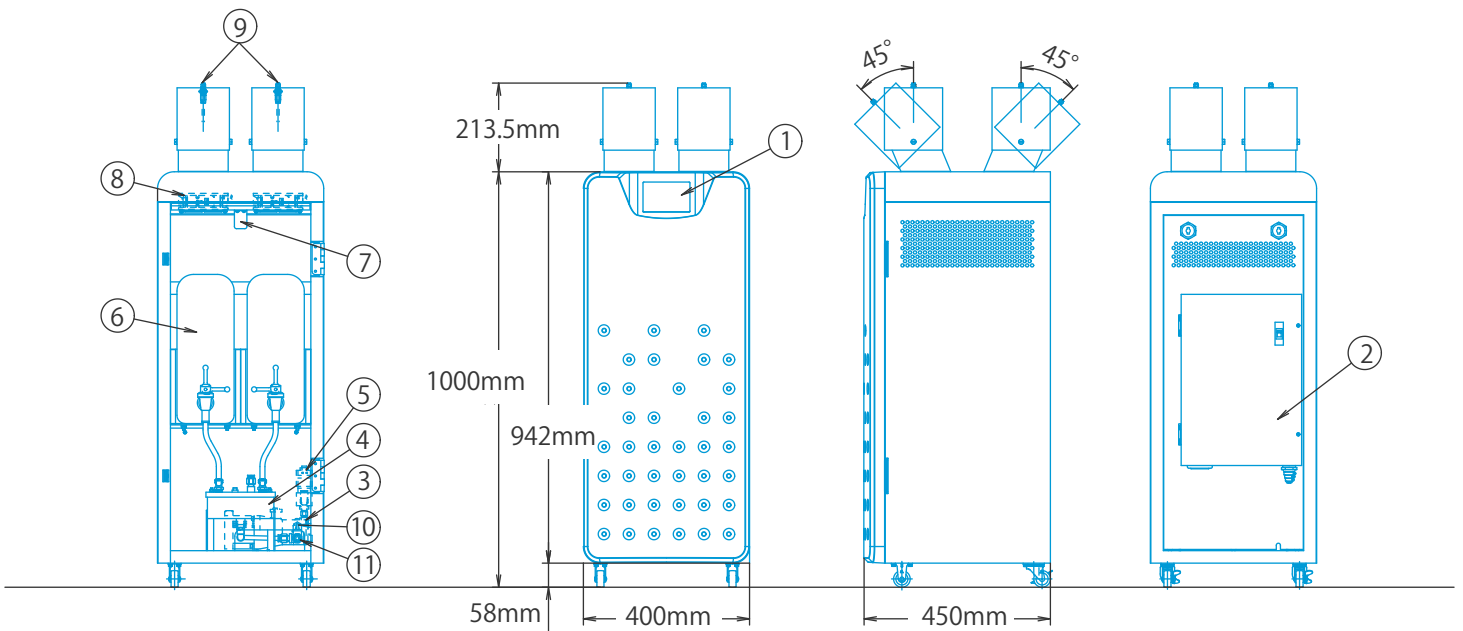
Q10 Are there any contracts for introductions?

For information, please contact your nearest dealer or sales office.

Q11 Is sterilization operation possible?

“itsumo” can also spray slightly acidic electrolyzed water. 360 degree omnidirectional powerful sterilization in unmanned space is possible. Humidification with mist is effective as a prevention of viruses such as influenza that prevail every year. When humidifying a wide area such as hospital and elderly care facilities where antivirus measures are required but household humidifier cannot handle it, humidification with mist is optimal. It humidifies a wide area quickly and economically.

Product Specification



- ① Operation Panel ② Control Method ③ High Pressure Pump ④ Storage Tank ⑤ Pressure Release Solenoid Valve ⑥ Water Tank ⑦ Humidity Sensor ⑧ Blowing Fan (DC24V) ⑨ Spray Nozzle (1.5L/L) ⑩ Water Supply Side Air Bleeding/ Storage Tank Drain Valve ⑪ Drain (Outer Diameter ϕ 10 Tube Connection)